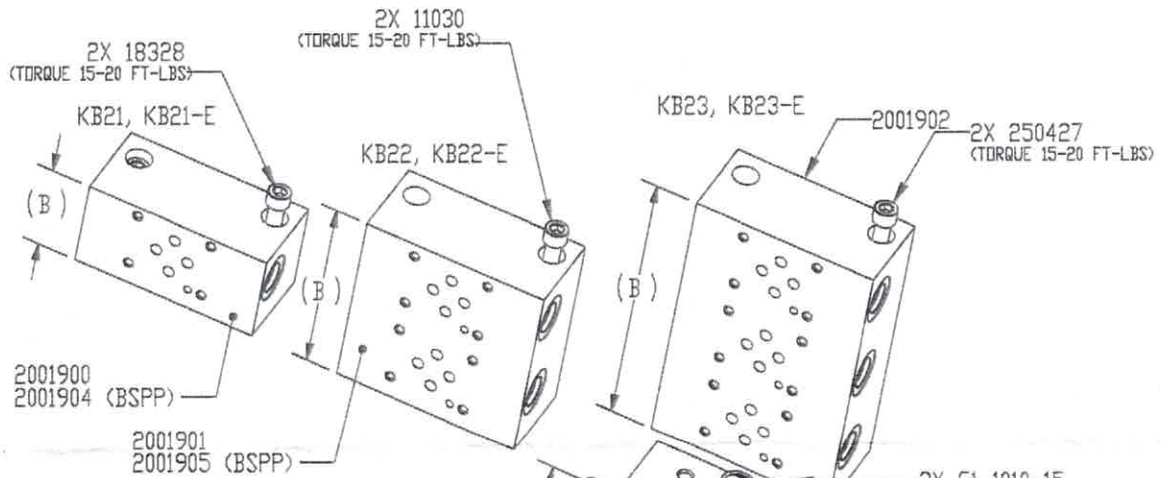


# SPX<sup>®</sup>

HYDRAULIC TECHNOLOGIES

## DISTRIBUTION POWER UNIT PROGRAM



KB2X KITS INCLUDE:  
 2X G1-1010-15  
 2X G1-1010-18  
 2001899  
 2X 253089  
 2X 10020  
 AND 200190X BLOCK + SHCS  
 END HEAD NOT INCLUDED

KB23 (E)	1.10	5.90
KB22 (E)	1.10	3.94
KB21 (E)	1.10	1.92
Part No.	A	B

KN10/KN11

FOR METRIC VERSION USE  
KB2XE

CHANGE

ECN1007424

TITLE FORM, INSTRUCTION FOR  
KB2X

SCALE

NONE

REV.

1

DRAWN  
KSS

DATE  
4-AUG-10

CHECK  
ARH

DATE  
4-AUG-10

PART NO. KB21,KB21E,KB22,  
KB22E,KB23,KB23E

DRAWING NUMBER  
1000449