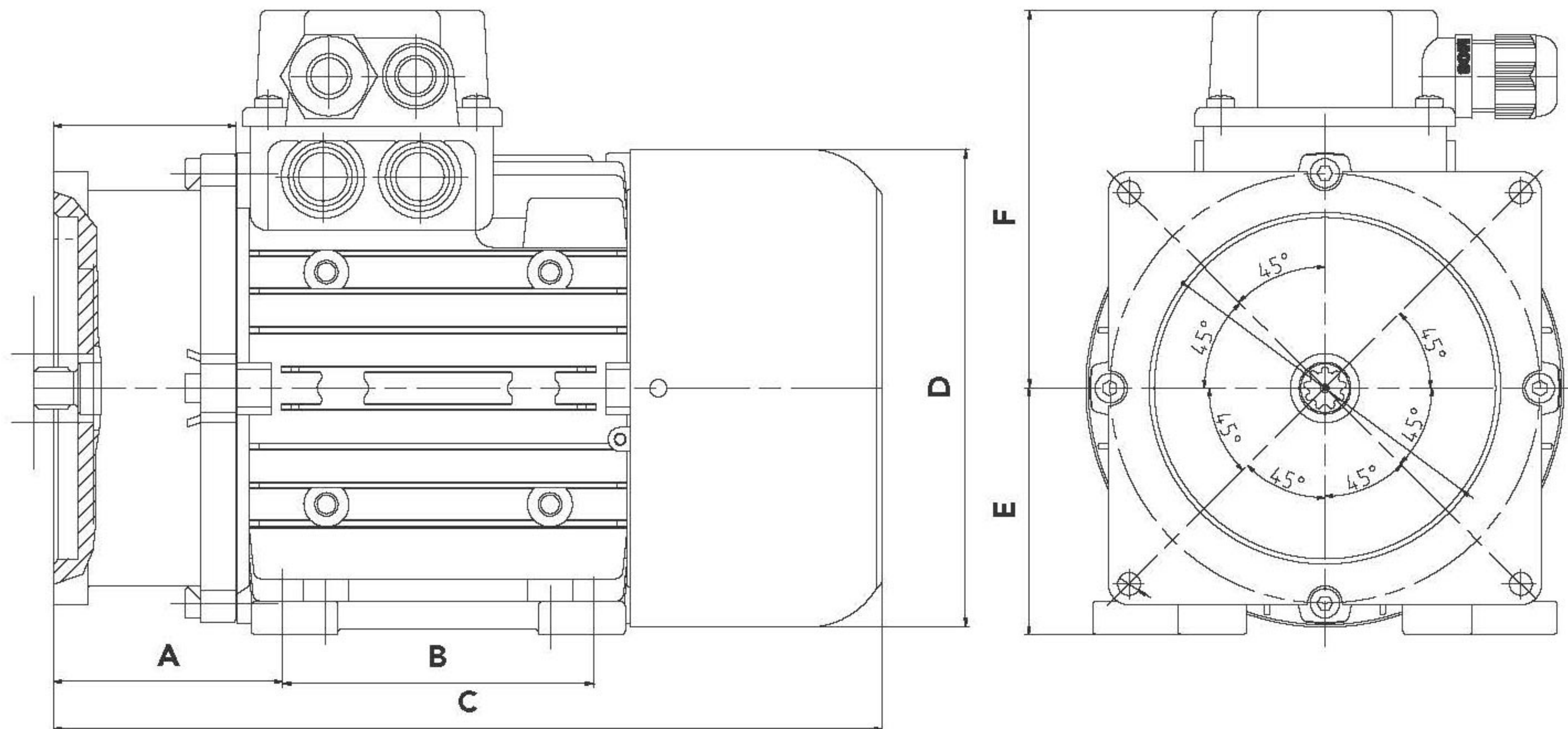


KM54-58

**CONTINUOUS DUTY
3 PH 2 POLE AC MOTORS**



Motor	A	B	C	D	E	F	G	H
KM54	66 mm	90 mm	239 mm	138 mm	71 mm	109 mm	137 mm	112 mm
KM55	66 mm	90 mm	239 mm	138 mm	71 mm	109 mm	137 mm	112 mm
KM56	65 mm	100 mm	266 mm	176 mm	90 mm	128 mm	182 mm	140 mm
KM57	65 mm	100 mm	266 mm	176 mm	90 mm	128 mm	182 mm	140 mm
KM58	65 mm	125 mm	290 mm	176 mm	90 mm	128 mm	181 mm	140 mm

Motor/Pump	KP08	KP10	KP12	KP16	KP20	KP25	KP31	KP40	KP50	KP 63	KP 80
KM54 0,375Kw 2850 RPM, 3PH 230/400v 50Hz	2.0 LPM 95 BAR	2.5 LPM 75 BAR	3.0 LPM 65 BAR	4.0 LPM 48 BAR	5.0 LPM 38 BAR	7.0 LPM 30 BAR	8.0 LPM 25 BAR				
KM55 0,75Kw 2850 RPM, 3PH 230/400v 50Hz	2.0 LPM 190 BAR	2.5 LPM 150 BAR	3.0 LPM 130 BAR	4.0 LPM 98 BAR	5.0 LPM 78 BAR	7.0 LPM 60 BAR	8.0 LPM 50 BAR	11.0 LPM 35 BAR	13.0 LPM 30 BAR		
KM56 1,1Kw 2850 RPM, 3PH 230/400v 50Hz		2,5 LPM 230 BAR	3.0 LPM 190 BAR	4.0 LPM 140 BAR	5.0 LPM 110 BAR	7.0 LPM 90 BAR	8.0 LPM 70 BAR	11.0 LPM 55 BAR	13.0 LPM 45 BAR	16.0 LPM 35 BAR	
KM57 1,5Kw 2850 RPM, 3PH 230/400v 50Hz		2,5 LPM 250 BAR	3.0 LPM 250 BAR	4.0 LPM 190 BAR	5.0 LPM 150 BAR	7.0 LPM 120 BAR	8.0 LPM 100 BAR	11.0 LPM 75 BAR	13.0 LPM 60 BAR	16.0 LPM 45 BAR	20.0 LPM 35 BAR
KM58 2,2Kw 2850 RPM, 3PH 230/400v 50Hz				4.0 LPM 250 BAR	5.0 LPM 230 BAR	7.0 LPM 180 BAR	8.0 LPM 140 BAR	11.0 LPM 110 BAR	13.0 LPM 90 BAR	16.0 LPM 65 BAR	20.0 LPM 50 BAR

Performance at 45 CST (200 SSU) and 90% mechanical efficiency. All motors are totally enclosed, fan-cooled (TEFC).
 Motors are continuous duty but cannot be used above their rated kilowatts, regardless of duty cycle and must have full voltage to achieve rated kilowatts.
 For flows over 11 LPM, use a 1413-AA filter.
Note: Stone uses a network of qualified suppliers to ensure availability. There are minor dimensional and cosmetic differences between vendor's products.
 KM 78 duty cycle S3-30%, Class F insulation, B3 form, Cap Start only.