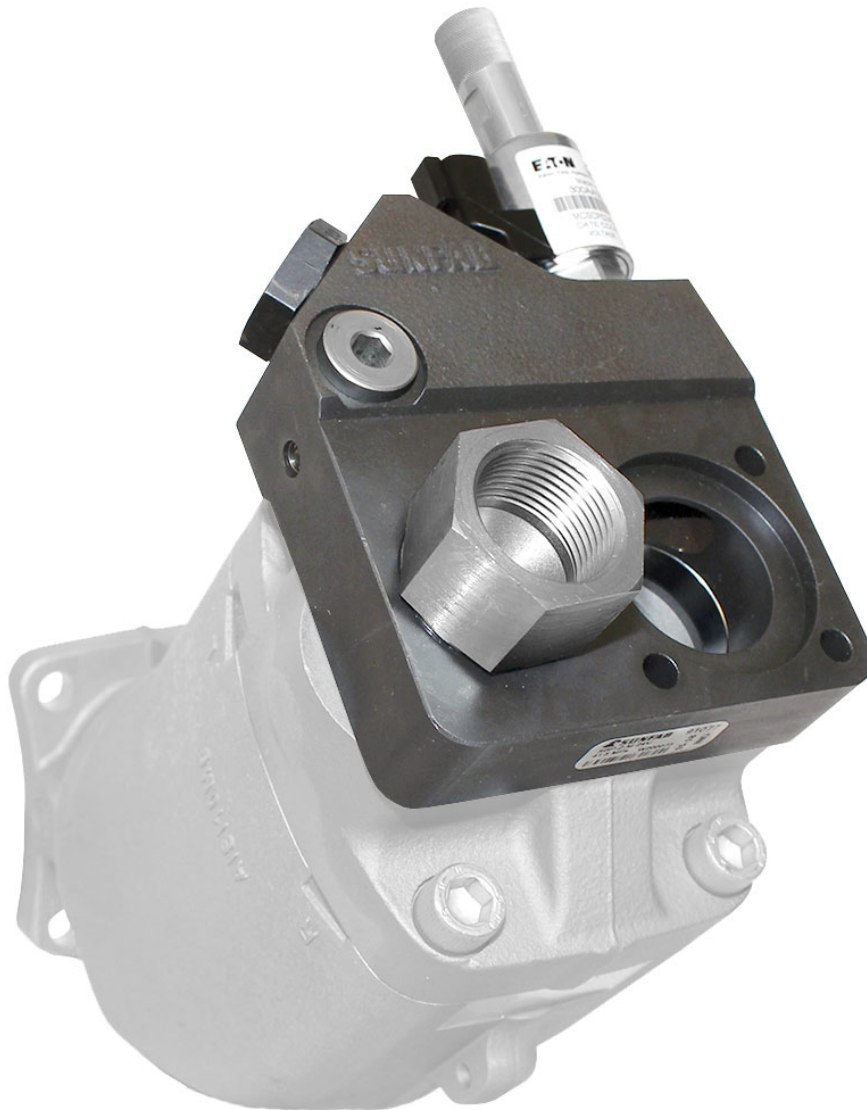


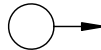
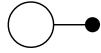


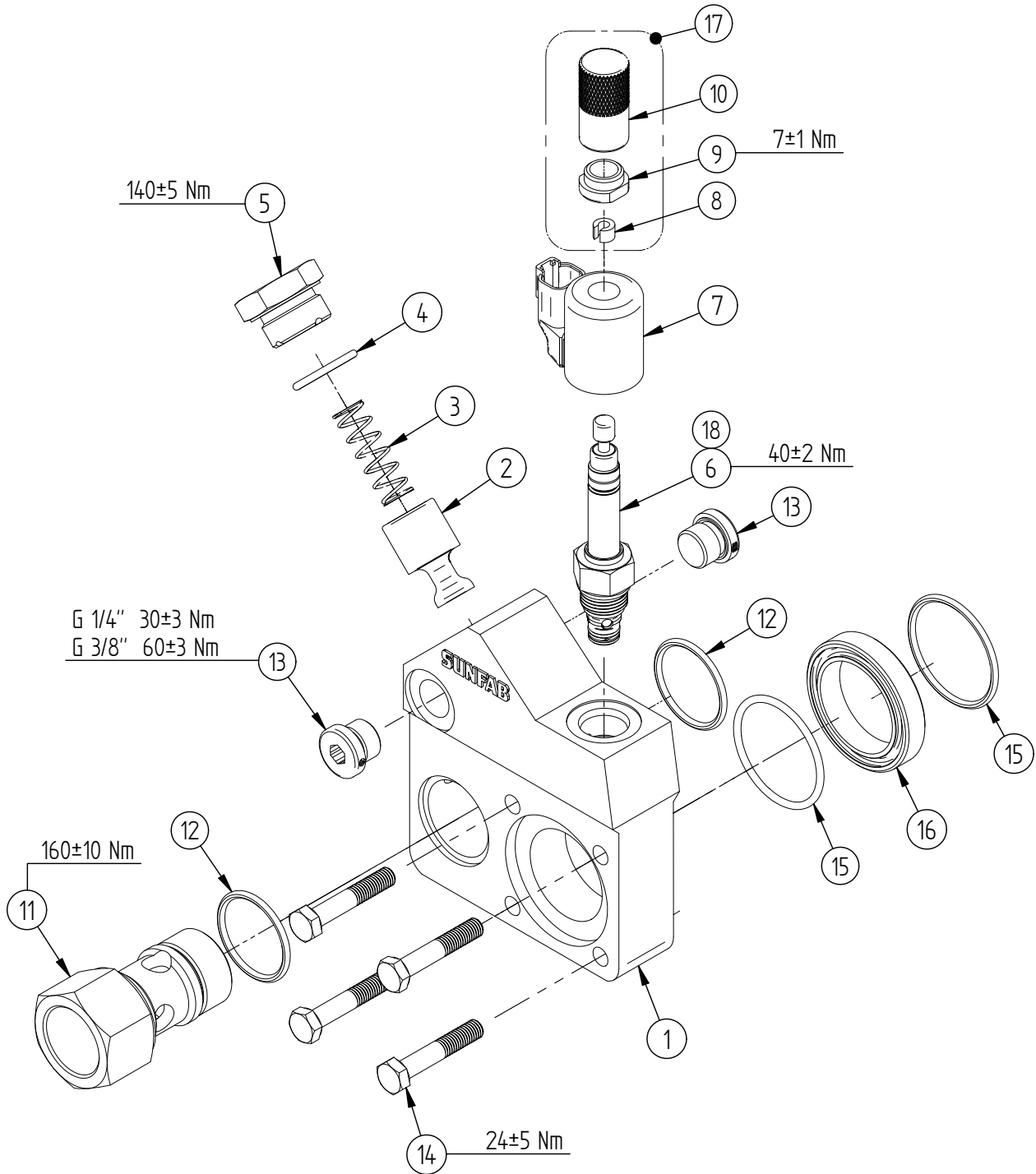
Valid from Serial No	
SBP-1	W102921 / 1158648
SBP-2	W210422 / 1153603





Valid from Serial No	
SBP-1	W102921 / 1158648
SBP-2	W210422 / 1153603

-  = Part
-  = Kit





Valid from Serial No	
SBP-1	W102921 / 1158648
SBP-2	W210422 / 1153603

SBP

Item	Part No.	Title	SBP-1	SBP-2
			Qty.	Qty.
1		Valve body SBP-1	1	
1		Valve body SBP-2		1
2		Logic element	1	1
3		Spring	1	1
4	92200	O-ring	1	1
5		Plug	1	1
6	91080	Pilot valve	1	1
7	91081	Coil 12 VDC	1	1
7	91086	Coil 28 VDC	1	1
8	91049	Plastic spacer	1	1
9	91048	Nut	1	1
10	91047	Protection cap	1	1
11	20015	Banjo bolt	1	
11	20016	Banjo bolt		1
12	91676	O-ring	2	
12	91675	O-ring		2
13	91167	Plug G1/4"	2	
13	91679	Plug G3/8"		2
14	90322	Screw	4	4
15	91754	O-ring	2	
15	90519	O-ring		2
16	20017	Spacer	1	
16	20018	Spacer		1
17	91120	Protection cap Kit Includes items: 8, 9, 10	1	1
18	91083	Seal Kit - Pilot valve	1	1
-	50933	Seal Kit - SBP Includes items: 4, 12, 15, 18	1	1

SBP-1 SCP/SAP 012-064, SCPT/SAPT 090

SBP-2 SCP/SAP 084-108, SCPT/SAPT 130

For different types, see datasheet at <http://www.sunfab.com> or contact Sunfab