

MH315SHP

PRODUCT FEATURE SUMMARY

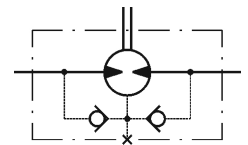
DATE: 11.03.2024

Username: Evelin Badic

MODEL TYPE: MH315SHP

CNSORDERNO (order number)	MH315SHP
DC (Displacement code)	315: 314,9 cm ³ /rev [16.4 in ³ /rev]
SE (Shaft Extensions)	SH:ø1¼" splined 14T ANSI B92.1-1970
SSV (Shaft Seal Version)	omit: Low pressure seal (integrated check valves)
DP (Drain Port)	omit:with drain port
P (Ports)	omit: BSPP (ISO 228)
SFMS (Special Features measure speed)	omit: no special features
SFGWS (Special Features of gear wheel set)	omit: no special features
SFDR (Special Features – Direction of rotation)	omit: Standard
OP (Option (Paint))	P: Paint
INFO (Info)	PDF catalog
L (mm)	184
L1 (mm)	43.5

DATA SHEET



Type	
Displacement, cm³/rev [in³/rev]	314,9 [19.2]
Max. Speed, [RPM]	cont. 235
	Int.* 285
Max. Torque, daNm [lb-in]	cont. 74 [6548]
	Int.* 82 [7257]
Max. Output, kW [HP]	cont. 14 [18.7]
	Int.* 15,5 [20.7]
Max. Pressure Drop, bar [PSI]	cont. 175 [2540]
	Int.* 200 [2900]
Max. Oil Flow, [RPM]	cont. 75 [19.81]
	Int.* 90 [23.78]

Type	
Max. Inlet Pressure, bar [PSI]	cont. 200 [2900]
	Int.* 225 [3260]
	peak** 250 [3626]
Max. Return Pressure with Drain Line bar [PSI]	cont. 66 [5840]
	Int.* 73 [6460]
	peak**
Pressure with Unloaded Shaft, bar [PSI]	
	5 [72]
Min Starting Torque, daNm [lb-in]	at max. press. drop cont. -
	at max. press. drop Int.* -
Min. Speed***, [RPM]	8
Weight, kg [lb]	11,5 [25.4]

* Intermittent operation: the permissible values may occur for max. 10% of every minute.

** Peak load: the permissible values may occur for max. 1% of every minute.

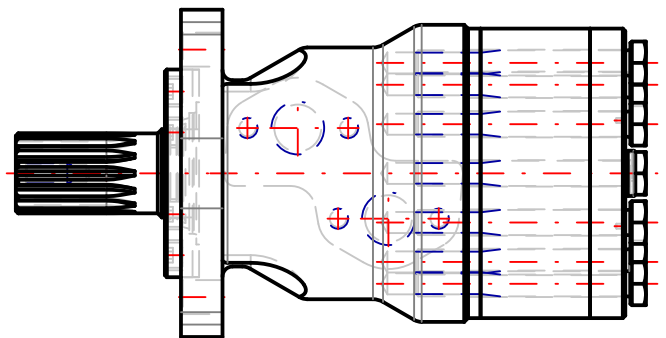
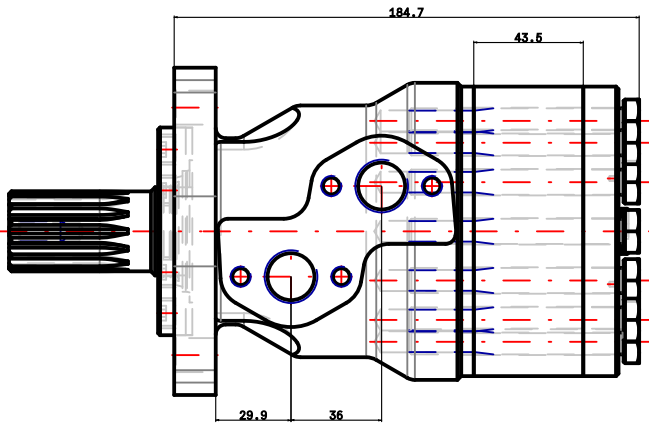
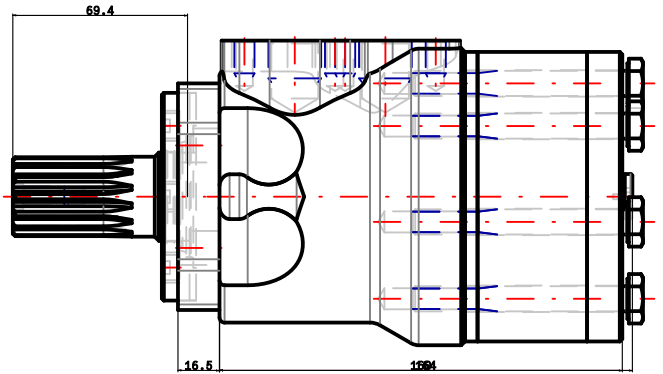
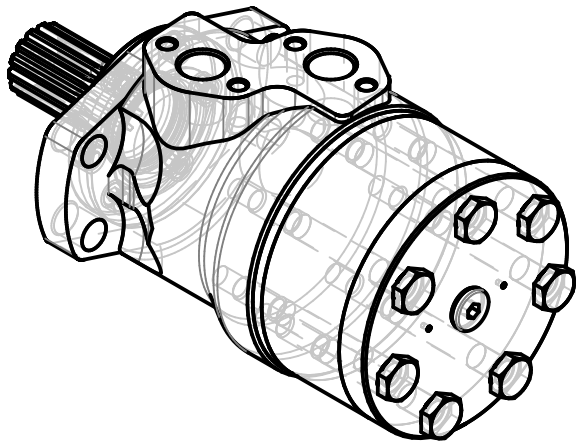
*** For speeds lower than given, consult factory or your regional manager.

- Intermittent speed and intermittent pressure drop must not occur simultaneously.
- Recommended filtration is per ISO cleanliness code 20/16. A nominal filtration of 25 micron or better.
- Recommend using a premium quality, anti-wear type mineral based hydraulic oil HLP(DIN51524) or HM (ISO 6743/4). If using synthetic fluids consult the factory for alternative seal materials.
- Recommended minimum oil viscosity 13 mm²/s [70 SUS] at 50°C [122°F].
- Recommended maximum system operating temperature is 82°C [180°F].
- To assure optimum motor life fill with fluid prior to loading and run at moderate load and speed for 10-15 minutes.

MH315SHP

3d generated view

To see model in 3D you should use Acrobat Reader with enable 3D view



NOTE: Shown dimensions are in nominal, for maximal values see table.

NOTE: For additional dimensions and information about flange , shaft , endcover , etc. see next page.

L max	LS max
184	

Confidential property of M+S Hydraulic, Bulgaria.
Please note that this drawing is automatically generated based on the selection. In case of possible changes or revisions in the drawing specifications, the selection process should be repeat. M+S is not responsible for any possible errors on the drawings.

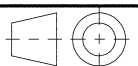


MH315SHP

Design: M+S

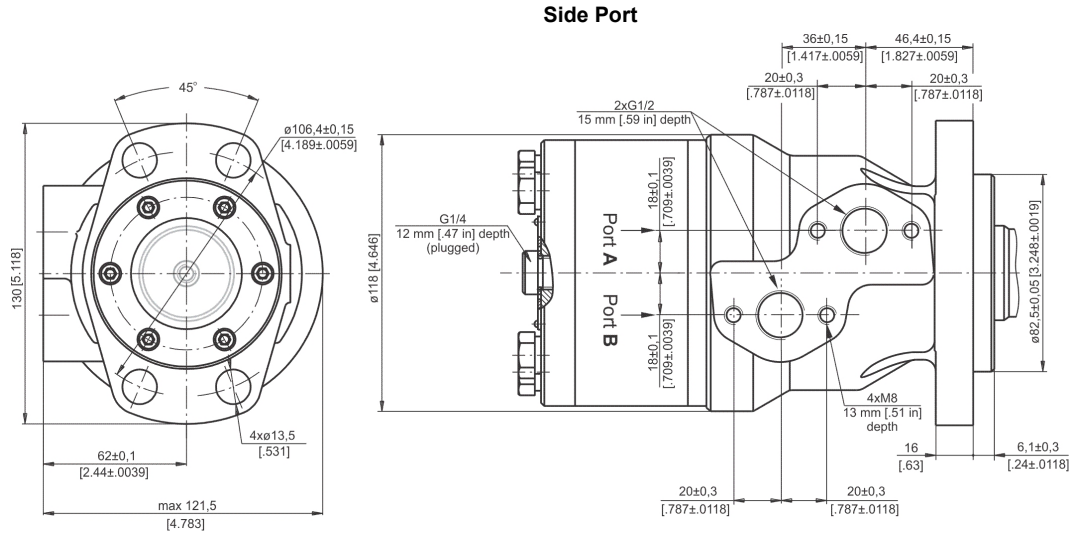
Check:

Scale	Sheet	Rev.	Weight
Date 11.03.2024			11,5 [25.4]

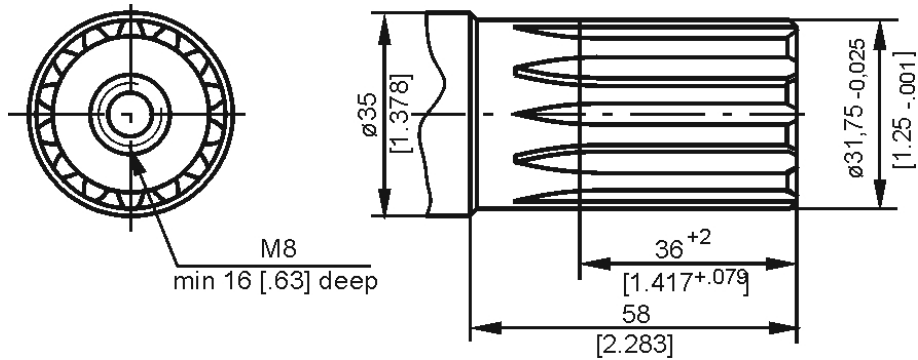


Standard Rotation
Viewed from Shaft End

Port A Pressurized - CW
Port B Pressurized - CCW



SH: $\phi 1\frac{1}{4}$ " splined 14T ANSI B92.1-1970



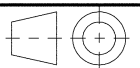
Confidential property of M+S Hydraulic, Bulgaria.
Please note that this drawing is automatically generated based on the selection. In case of possible changes or revisions in the drawing specifications, the selection process should be repeat. M+S is not responsible for any possible errors on the drawings.



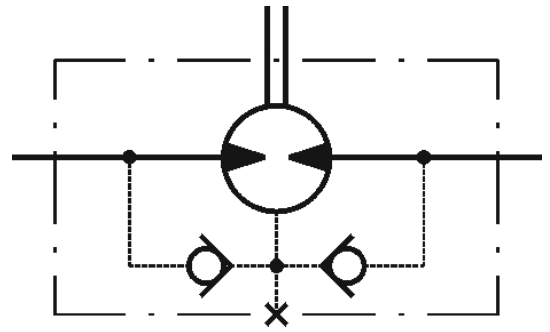
MH315SHP

Design: M+S Check:

Scale	Sheet	Rev.	Weight
Date 11.03.2024			11,5 [25.4]

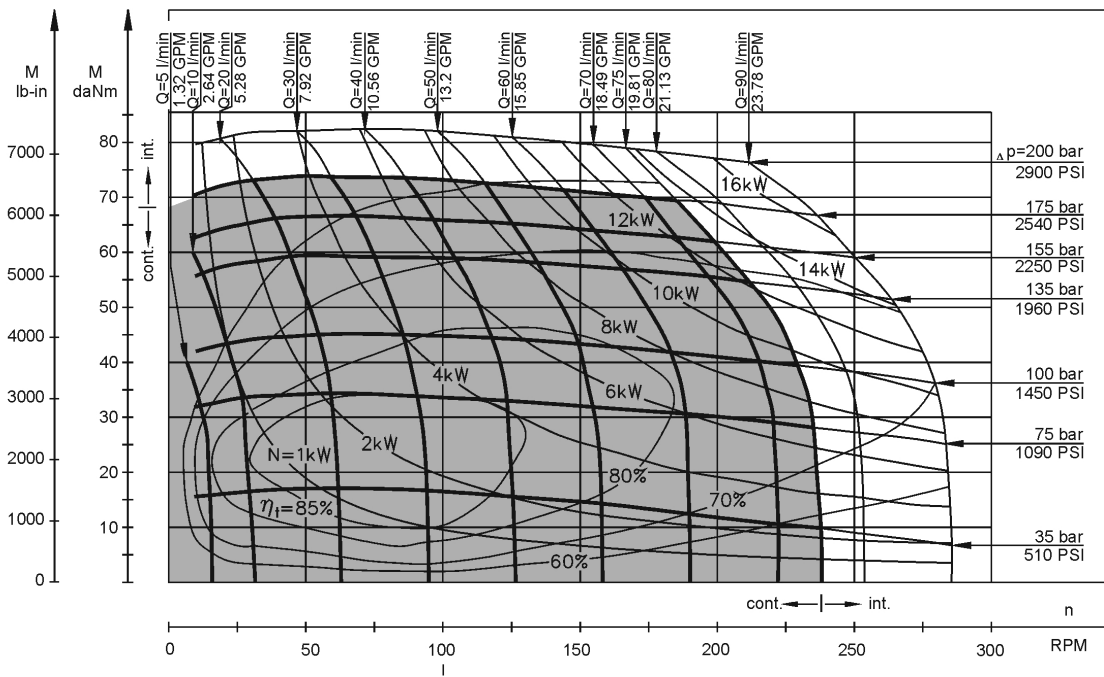


MH315SHP



Hydraulic scheme with standard shaft seal and with drain connection

FUNCTION DIAGRAMS

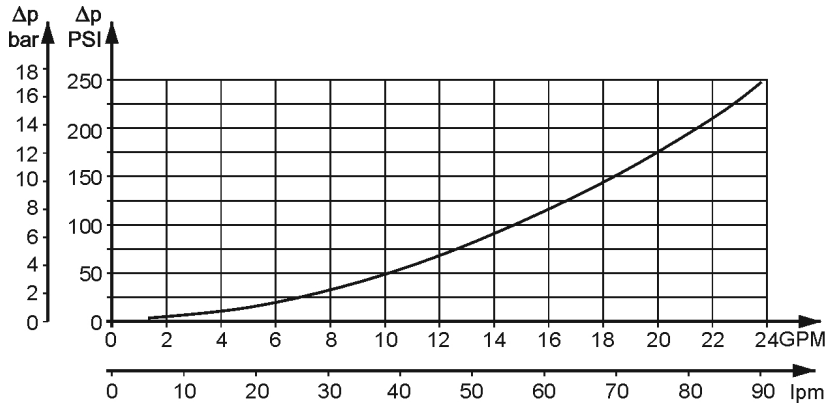


The function diagrams data is for average performance of randomly selected motors at back pressure 5±10 bar [72.5±145 PSI] and oil with viscosity of 32 mm²/s [150 SUS] at 50°C [122°F].

MH315SHP

DATA SHEET

Pressure Losses

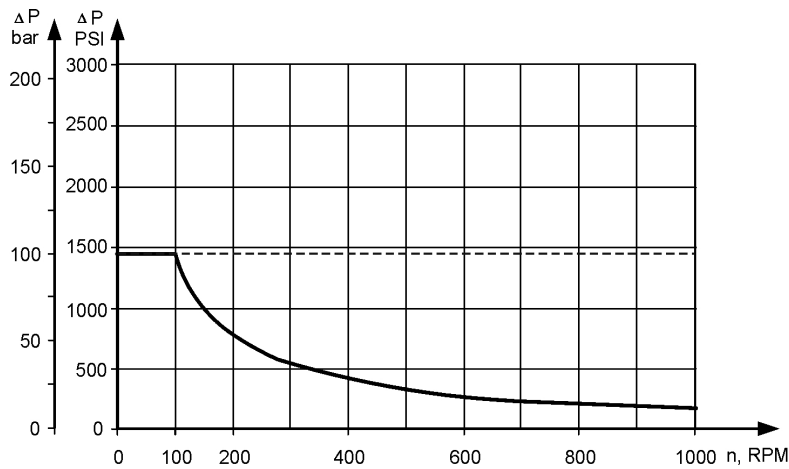


Oil flow in drain line

Pressure drop bar [PSI]	Viscosity mm ² /s [SUS]	Oil flow in drain line lpm [GPM]
100 [1450]	20 [98]	2,5 [.660]
	35 [164]	1,8 [.476]
140 [2030]	20 [98]	3,5 [.925]
	35 [164]	2,8 [.740]

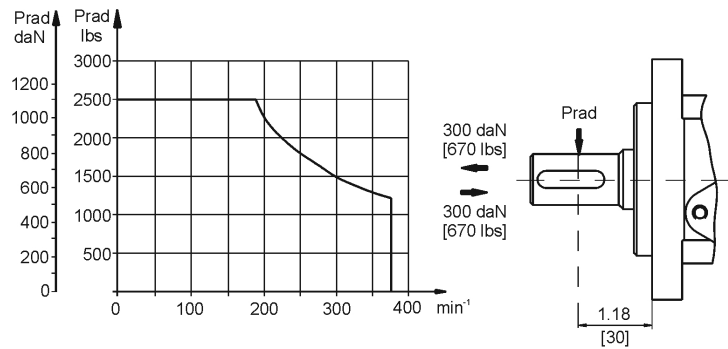
MAX. PERMISSIBLE SHAFT SEAL PRESSURE

Max. return pressure without drain line or max. pressure in the drain line



Black Curve shows continuous operations.
Dashed Curve shows intermittent operations.

PERMISSIBLE SHAFT LOADS



The permissible radial shaft load depends on the speed RPM and distance from the point of load to the mounting flange.